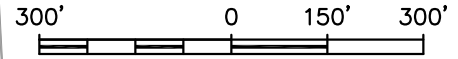


VICINITY MAP  
NOT TO SCALE



SCALE: 1" = 300'

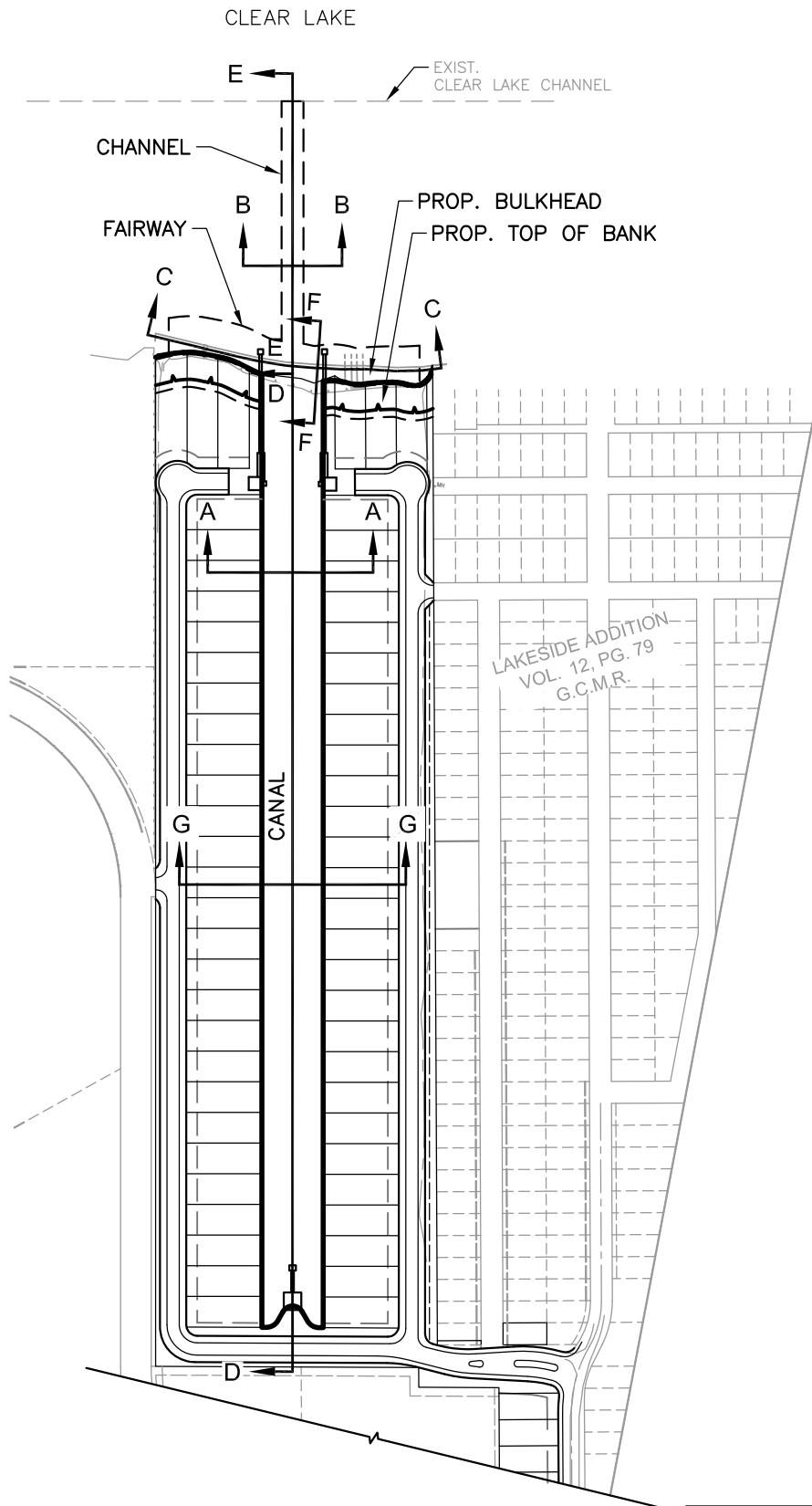
**DANNENBAUM**  
 ENGINEERING COMPANY - HOUSTON, LLC  
 T.B.P.E. FIRM REGISTRATION #8998  
 3100 WEST ALABAMA HOUSTON, TEXAS 77098 (713) 520-9570

**EXHIBIT A  
 PLAN VIEW**

TOWNE HARBOUR ESTATES

SCALE: 1" = 300'

May 13, 2016



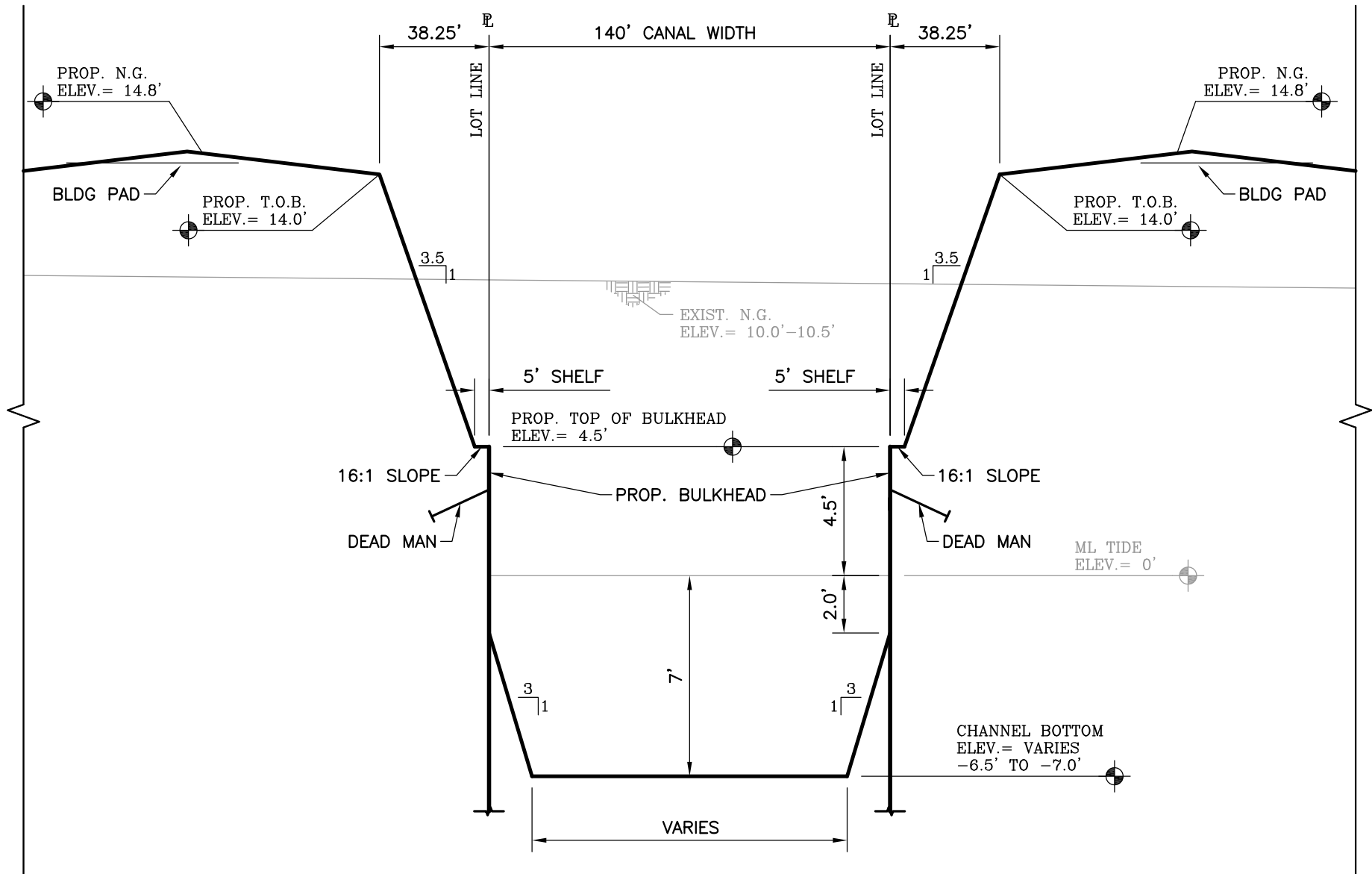
LAKESIDE ADDITION  
VOL. 12, PG. 79  
G.C.M.R.

**DANNENBAUM**  
ENGINEERING COMPANY - HOUSTON, LLC  
T.B.P.E. FIRM REGISTRATION #8998  
3100 WEST ALABAMA HOUSTON, TEXAS 77098 (713) 520-9570

**EXHIBIT AA**  
**CROSS-SECTION LAYOUT**

TOWNE HARBOUR ESTATES

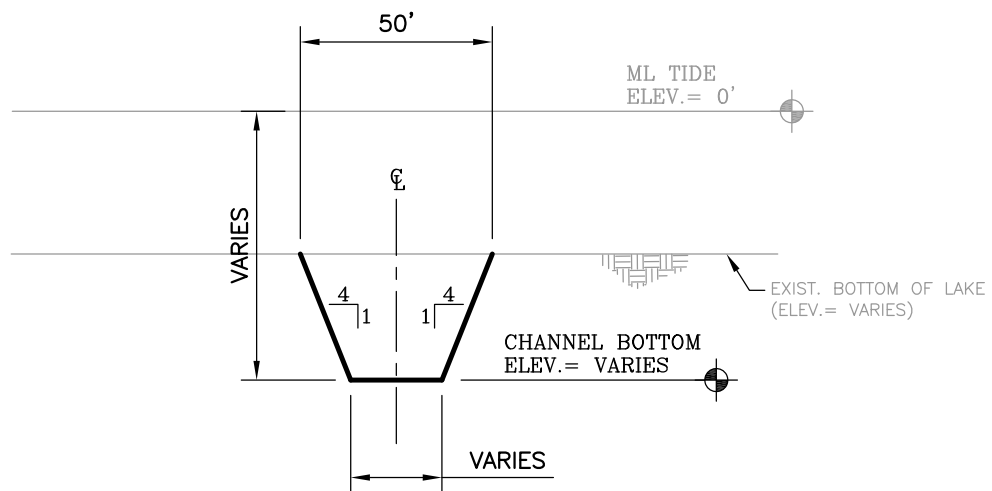
SCALE: 1" = 400' | May 13, 2016



SECTION "A-A"  
CANAL CROSS-SECTION

SCALE: 1" = 50' H  
1" = 5' V

<b>DANNENBAUM</b>	
ENGINEERING COMPANY - HOUSTON, LLC T.B.P.E. FIRM REGISTRATION #8998 3100 WEST ALABAMA HOUSTON, TEXAS 77098 (713) 520-9570	
<b>EXHIBIT B</b>	
<b>CANAL CROSS-SECTION</b>	
TOWNE HARBOUR ESTATES	
SCALE: NOTED	May 13, 2016



SECTION "B-B"  
CHANNEL CROSS-SECTION

SCALE: 1" = 50' H  
1" = 5' V

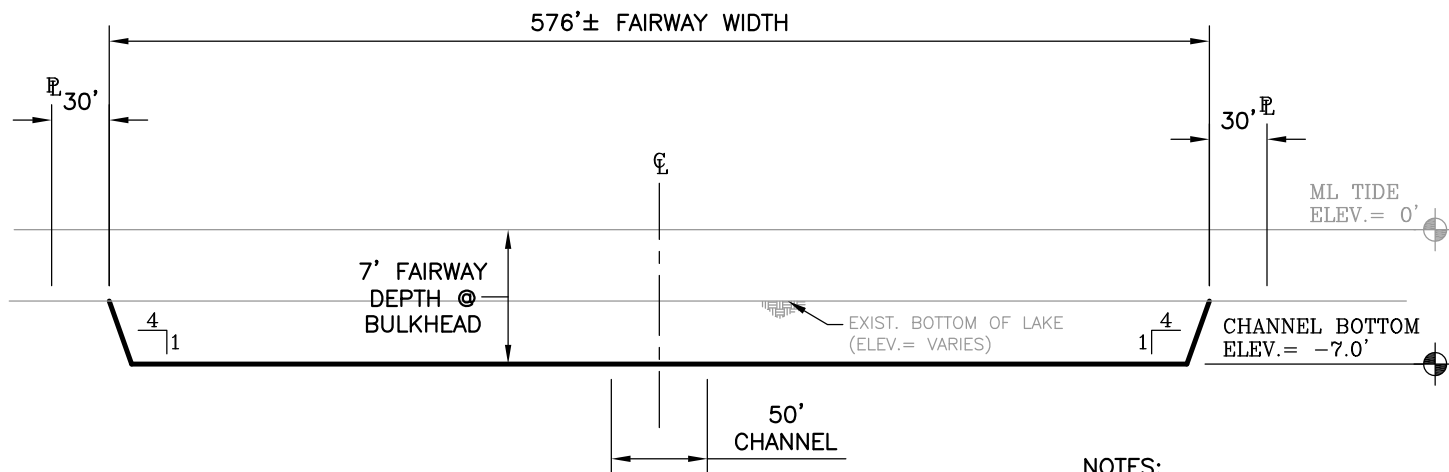
**DANNENBAUM**  
ENGINEERING COMPANY - HOUSTON, LLC  
T.B.P.E. FIRM REGISTRATION #8998  
3100 WEST ALABAMA HOUSTON, TEXAS 77098 (713) 520-9570

**EXHIBIT C**  
**CHANNEL CROSS-SECTION**

TOWNE HARBOUR ESTATES

SCALE: NOTED

May 13, 2016



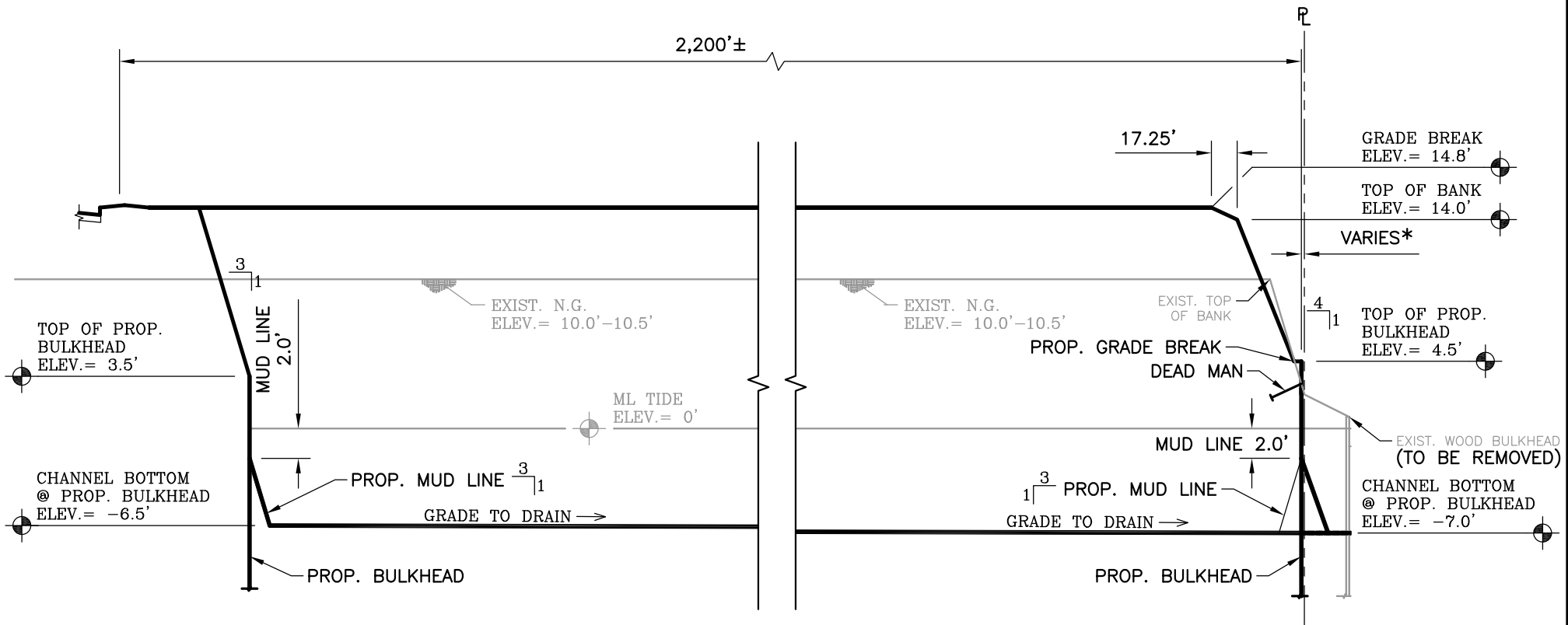
**NOTES:**

1. EXTEND FAIRWAY 80' FROM PROP. BULKHEAD
2. SEE EXHIBIT "K" FOR FAIRWAY DETAIL

SECTION "C-C"  
 80' FAIRWAY W/50' CHANNEL  
 CROSS-SECTION

SCALE: 1" = 100' H  
 1" = 10' V

<b>DANNENBAUM</b>	
ENGINEERING COMPANY - HOUSTON, LLC T.B.P.E. FIRM REGISTRATION #8998 3100 WEST ALABAMA HOUSTON, TEXAS 77098 (713) 520-9570	
<b>EXHIBIT D</b>	
<b>80' FAIRWAY W/50' CHANNEL CROSS-SECTION</b>	
TOWNE HARBOUR ESTATES	
SCALE: NOTED	May 13, 2016



SECTION "D-D"  
 LONG CANAL CROSS-SECTION

SCALE: 1" = 100' H  
 1" = 10' V

\*PROPOSED BULKHEAD TO PLACED AT A  
 MIN. 2' FROM PLAT BOUNDARY.

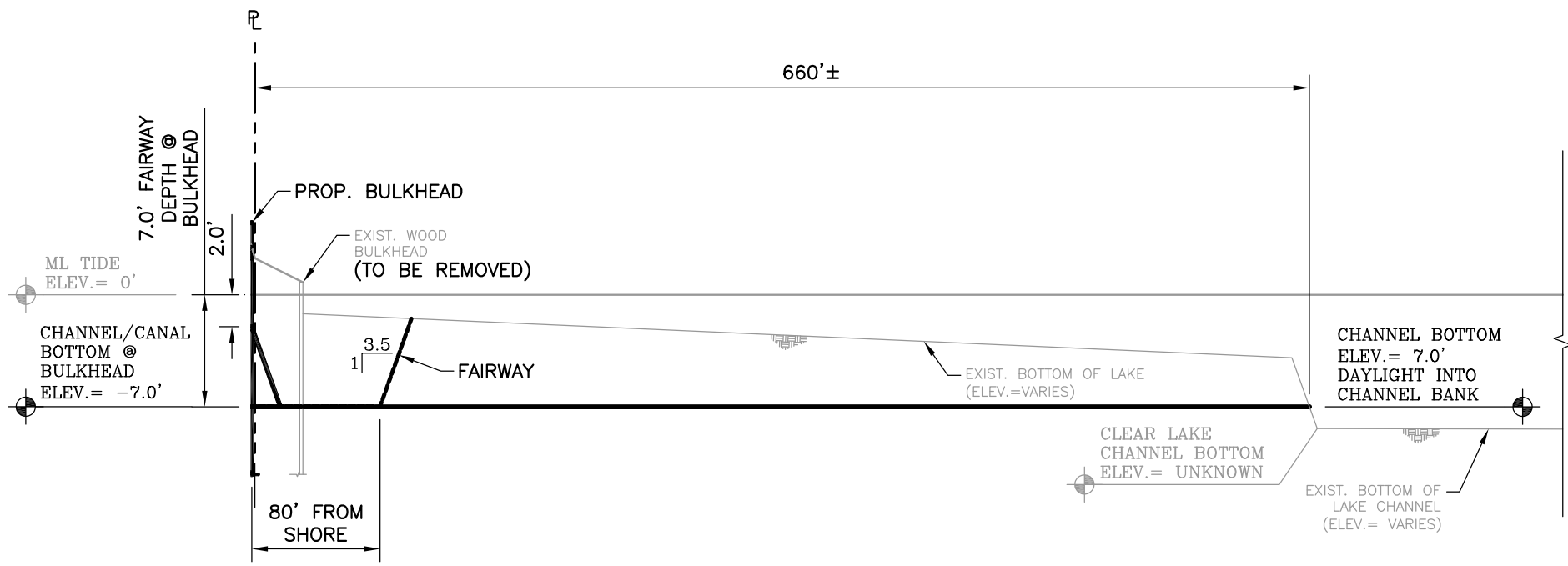
**DANNENBAUM**  
 ENGINEERING COMPANY - HOUSTON, LLC  
 T.B.P.E. FIRM REGISTRATION #8998  
 3100 WEST ALABAMA HOUSTON, TEXAS 77098 (713) 520-9570

**EXHIBIT E**  
**LONG CANAL CROSS-SECTION**

TOWNE HARBOUR ESTATES

SCALE: NOTED

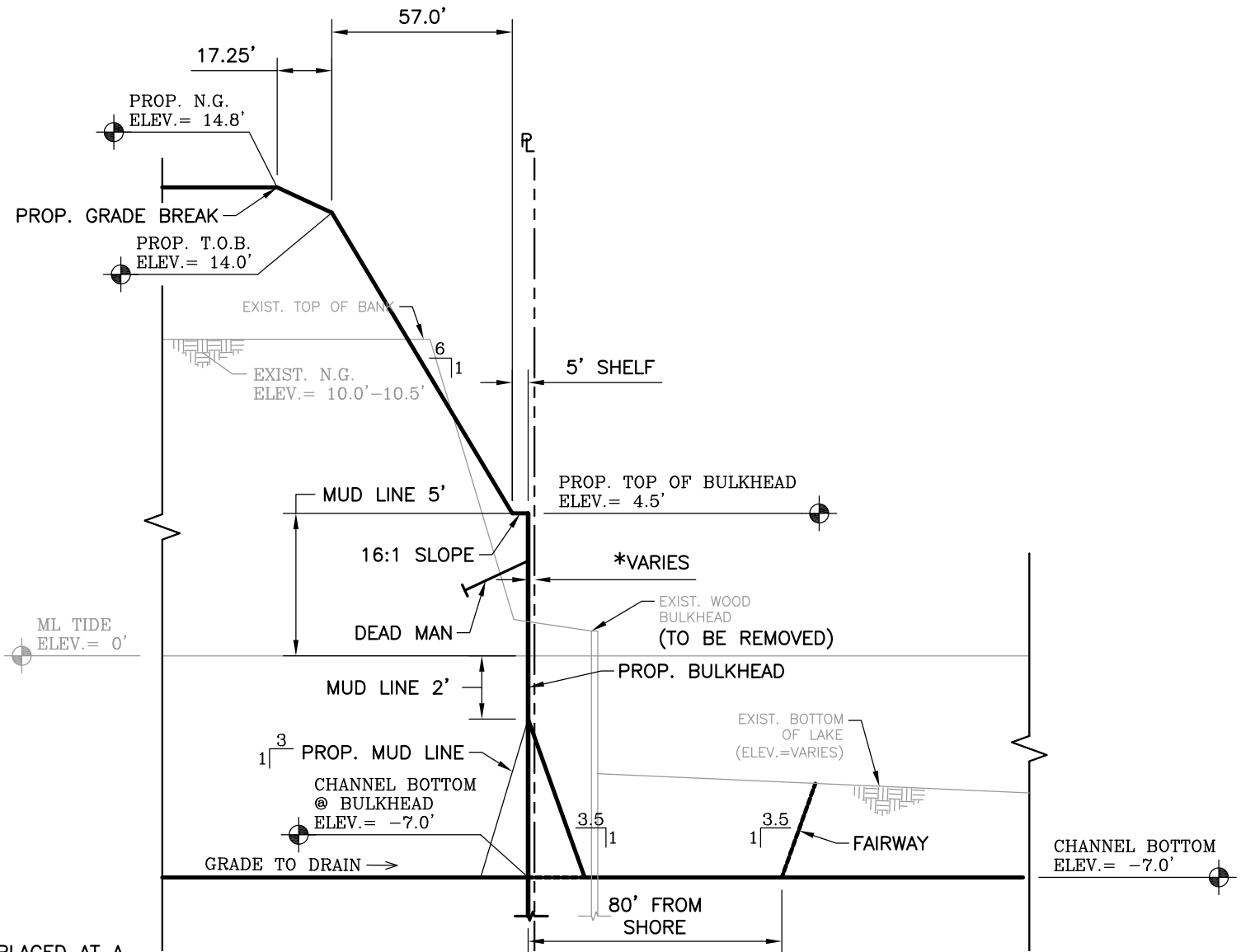
May 13, 2016



SECTION "E-E"  
 LONG CHANNEL CROSS-SECTION

SCALE: 1" = 100' H  
 1" = 10' V

<b>DANNENBAUM</b>	
ENGINEERING COMPANY - HOUSTON, LLC T.B.P.E. FIRM REGISTRATION #8998 3100 WEST ALABAMA HOUSTON, TEXAS 77098 (713) 520-9570	
<b>EXHIBIT F</b>	
<b>LONG CANAL CROSS-SECTION</b>	
TOWNE HARBOUR ESTATES	
SCALE: NOTED	May 13, 2016



\*PROPOSED BULKHEAD TO PLACED AT A MIN. 2' FROM PLAT BOUNDARY.

### SECTION "F-F" BULKHEAD CROSS-SECTION

SCALE: 1" = 50' H  
1" = 5' V

**DANNENBAUM**  
ENGINEERING COMPANY - HOUSTON, LLC  
T.B.P.E. FIRM REGISTRATION #8998  
3100 WEST ALABAMA HOUSTON, TEXAS 77098 (713) 520-9570

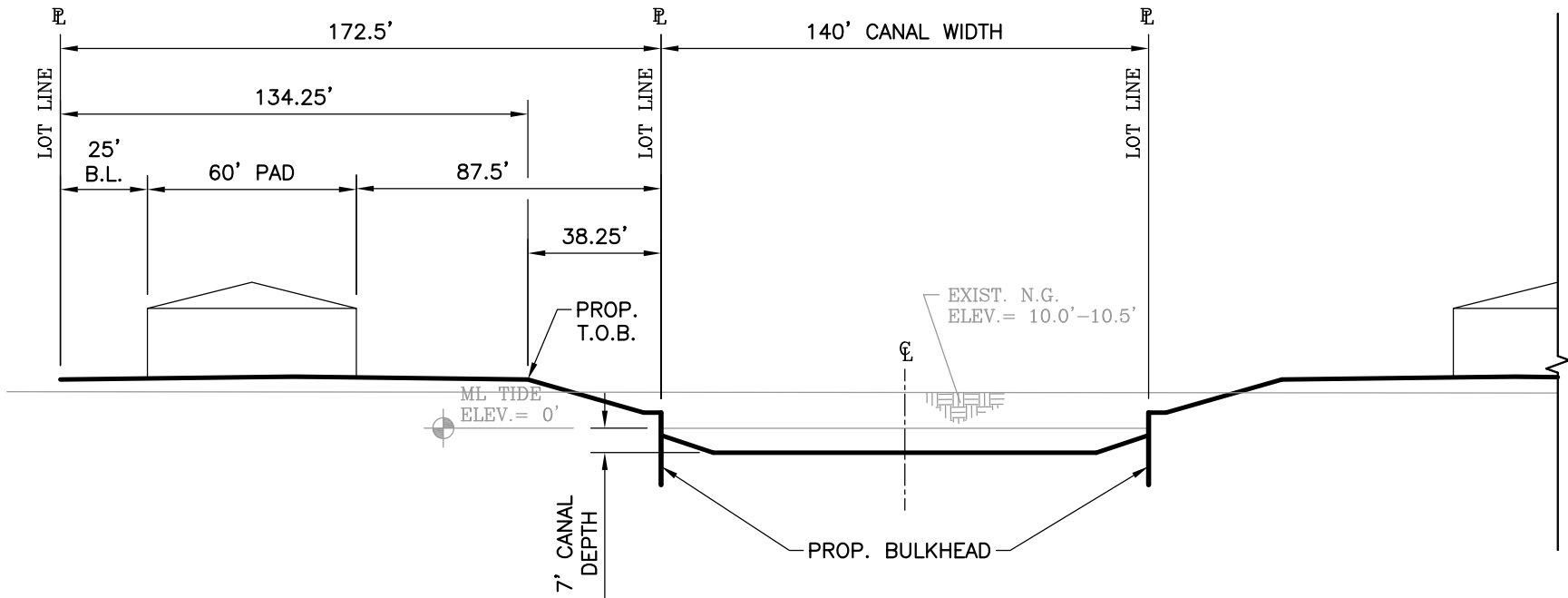
**EXHIBIT G**  
**BULKHEAD CROSS-SECTION**

TOWNE HARBOUR ESTATES

SCALE: NOTED

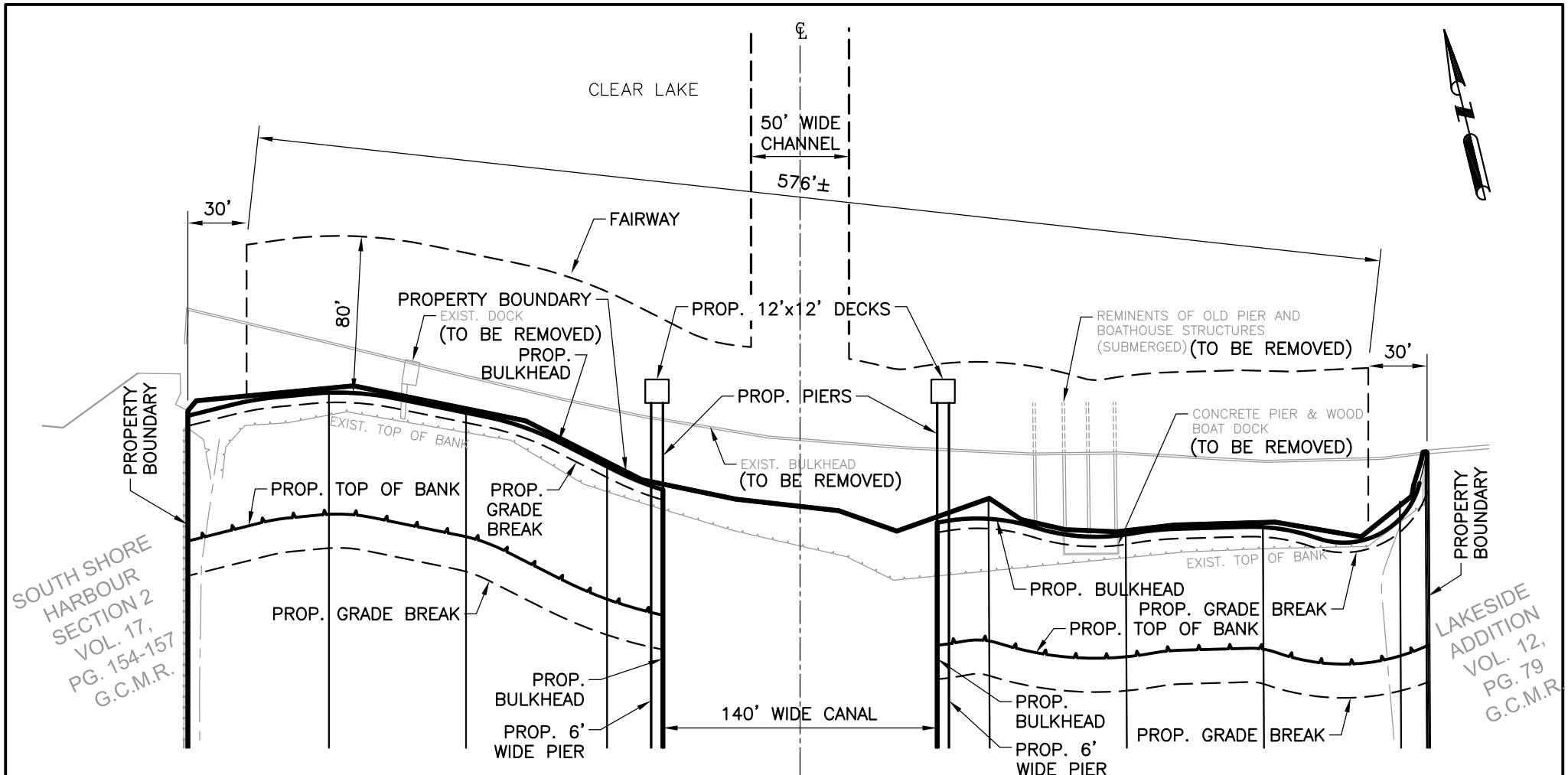
May 13, 2016





SECTION "G-G"  
 LOTS CROSS-SECTION  
 SCALE: 1" = 50'

<b>DANNENBAUM</b>	
ENGINEERING COMPANY - HOUSTON, LLC T.B.P.E. FIRM REGISTRATION #8998 3100 WEST ALABAMA HOUSTON, TEXAS 77098 (713) 520-9570	
<b>EXHIBIT H</b> <b>LOTS CROSS-SECTION</b>	
TOWNE HARBOUR ESTATES	
SCALE: NOTED	May 13, 2016



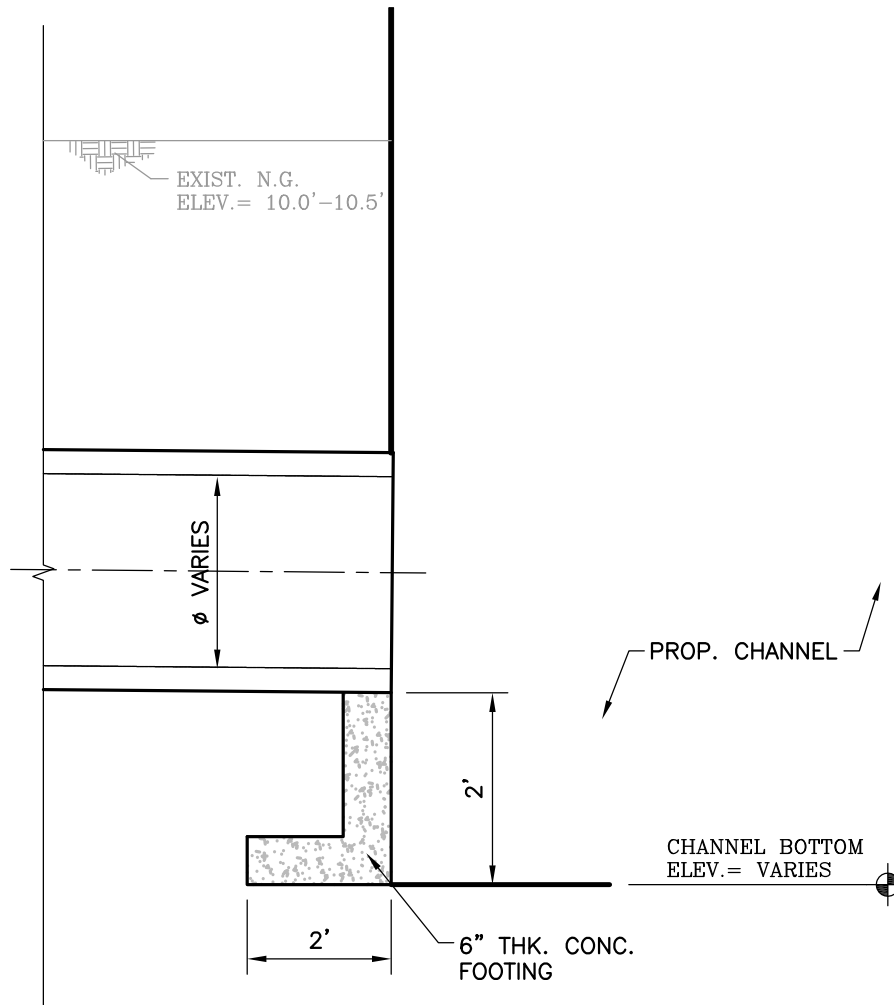
## FAIRWAY DETAIL

SCALE: 1" = 75'

**NOTES:**

1. SEE EXHIBIT "D" FOR FAIRWAY CROSS-SECTION
2. EXCAVATE FAIRWAY TO A DEPTH OF 7'.

<b>DANNENBAUM</b>	
ENGINEERING COMPANY - HOUSTON, LLC T.B.P.E. FIRM REGISTRATION #8998 3100 WEST ALABAMA HOUSTON, TEXAS 77098 (713) 520-9570	
<b>EXHIBIT J</b> <b>FAIRWAY DETAIL</b>	
TOWNE HARBOUR ESTATES	
SCALE: NOTED	May 13, 2016



TYPICAL PIPE OUTFALL

SCALE: 1" = 2'

<b>DANNENBAUM</b>	
ENGINEERING COMPANY - HOUSTON, LLC T.B.P.E. FIRM REGISTRATION #8998 3100 WEST ALABAMA HOUSTON, TEXAS 77098 (713) 520-9570	
<b>EXHIBIT K</b> <b>TYPICAL PIPE OUTFALL DETAIL</b>	
TOWNE HARBOUR ESTATES	
SCALE: NOTED	May 13, 2016